

Connection with only 2 wires

2 wire terminal connection that facilitates the installation.

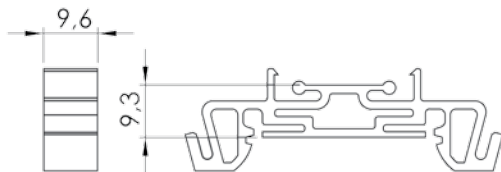


DIN rail accessory

The **WGC** transformers have an accessory for the DIN rail makes their installation even easier.



Dimensions



Technical features

Electrical insulation	Safety	IEC 60664-1 / IEC 60664-3
	Maximum assigned service Voltage	720 V
	Assigned impulse Voltage / pollution	3 kV / III
Measurement circuit	Assigned transformation ratio, Kn	30 / 0,06 A
	Accuracy in measurements	10 ... 15%
	Direct thermal current	60 A
	Short-circuit thermal current, Ith	1,8 kA / 1 seg
	Dynamic current, Idyn	2.5 I _{th}
Operating conditions	Operating temperature	-20 ... +70° C
	Relative humidity	95%
	Maximum altitude	2000 m
	Terminal protection	IP 20 (IEC 60529)
Mechanical features	Screw down fasteners	M-5
	DIN Rail (con accesorio)	See Code
	Casing material / Colour	Lexan 923 / RAL 7035
	Self-extinguishing class	UL 94V-0
	Product standards	IEC 60044-1
	Connection	Two wire (S1-S2) connection type
Dimensions of rigid/flexible conductors		0,1 a 2,5 mm ² / 27 ... 12 AWG
Connection to the protection and measurement devices (RCD,RCM)	Cabling with wire section ≥ 1 mm ²	0 ... 1 m
	Cabling of braided and shielded wire section ≥ 1 mm ²	0 ... 10 m
Code	P10151	WGC 25
	P10152	WGC 35
	P10153	WGC 55
	P10154	WGC 80
	P10155	WGC 110
	P10156	WGC 140
	P10157	WGC 180
	P10158	WGC 220x105
	P10159	WGC 350x150
	P10160	WGC 500x200
	P19921	PA-TC/WG *

* DIN rail accessory.

P Protection and Control

WGC series

Earth leakage transformers optimized for the installation

Better immunity



www.circuitor.com

CIRCUTOR, SA - Vial Sant Jordi, s/n
08232 Viladecavalls (Barcelona) Spain
Tel. (+34) 93 745 29 00 - Fax: (+34) 93 745 29 14
central@circutor.es



CIRCUTOR

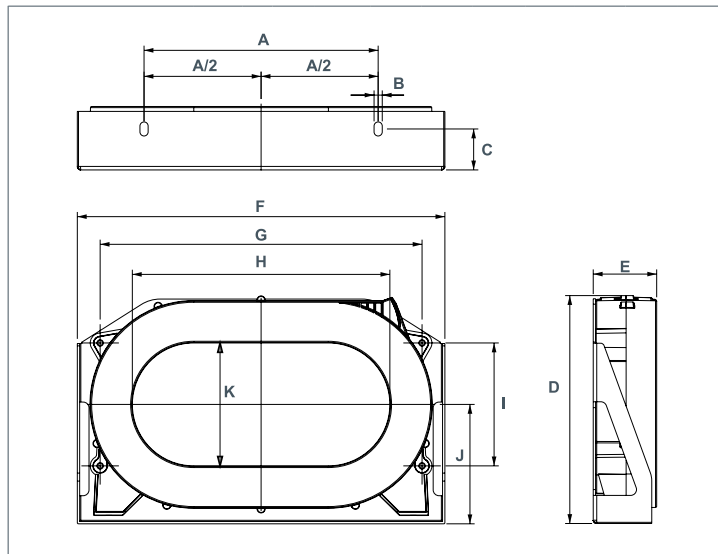
Technology for energy efficiency

Earth leakage transformers

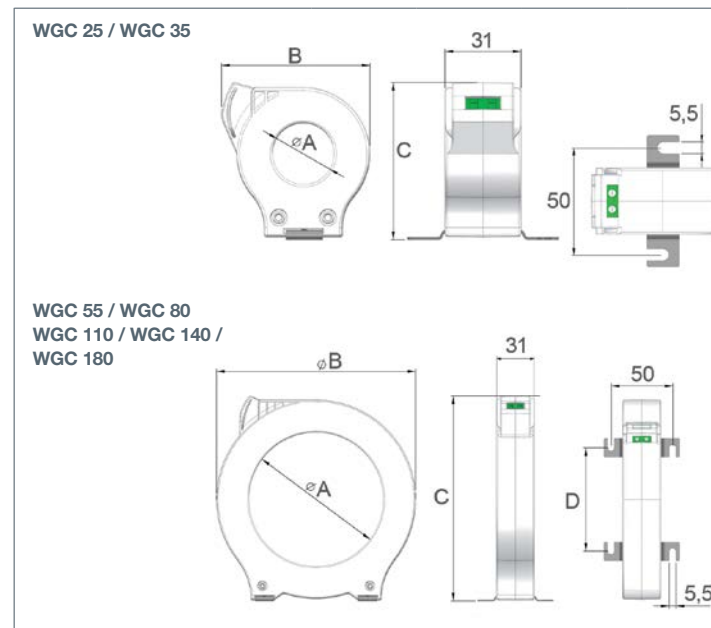
This new range presents a series of improvements above all in the installation of equipment in switchboards. Along with the usual installation fixtures, we add the possibility of doing it with a DIN rail by means of an accessory, which would facilitate its installation. The **WGC** series earth leakage transformers have a greater immunity to transitory type current peaks that usually cause differential protection triggers.

Dimensions

The adopted shapes and dimensions allow a good optimisation of the physical space in the electrical panels, maintaining the guarantee of insulation. The introduction of new inner diameters makes it possible to strengthen this feature according to the level of wiring of the electrical installation.





Type	A	B	C	D	E	F	G	H	I	J	K
WGC 220x105	200	7	35	195	54,2	314	275	220	105	102	105
WGC 350x150	340	7	30	279	50,2	479	430	350	165	143	150
WGC 500x200	460	7	40	306	64	614	550	500	180	155	200





Type	A	B	C	D
WGC 25	25	60,5	64	
WGC 35	35	70,5	75,5	
WGC 55	55	92	98	38
WGC 80	80	124,5	130	60
WGC 110	110	163	168	84,5
WGC 140	140	201	206	110
WGC 180	180	252	256	144

Electronic relay range of earth leakage protection and monitoring compatible with WGC

Adjustable sensitivity and delay time Prealarm Display	
	RGU-10 RGU-10C
Class	A ultrimmunized*
Current adjustment	0,03 A ... 30 A
Time adjustment	0,02 ... 10 s
Modules	3
No. relays	1

Fixed sensitivity and delay time	
	RG1M-0,03 RG1M-0,3
Class	A ultrimmunized*
Current adjustment	0,03 A / 0,30 A
Time adjustment	20 ms
Modules	1
No. relays	1

Adjustable sensitivity and delay time	
	RGE-R RGE-R1
Class	A ultrimmunized*
Current adjustment	0,03 A ... 5 A (R) 0,03 ... 3 A (R1)
Time adjustment	0,02 ... 5 s (R) 0,02 ... 1 s (R1)
Modules	2
No. relays	1

Earth leakage station Display	
	CBS-4 CBS-4C
Class	A ultrimmunized*
Current adjustment	0,03 A ... 30 A
Time adjustment	0,02 ... 10 s
Modules	3
No. relays	4

* A ultrimmunized (IEC 60755, IEC 60947-2, IEC 62020)