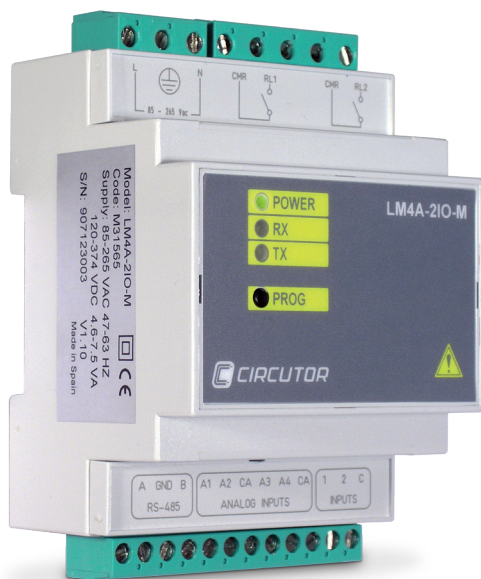


LM4A-2IO-M

Analogue and digital
signals centralizer



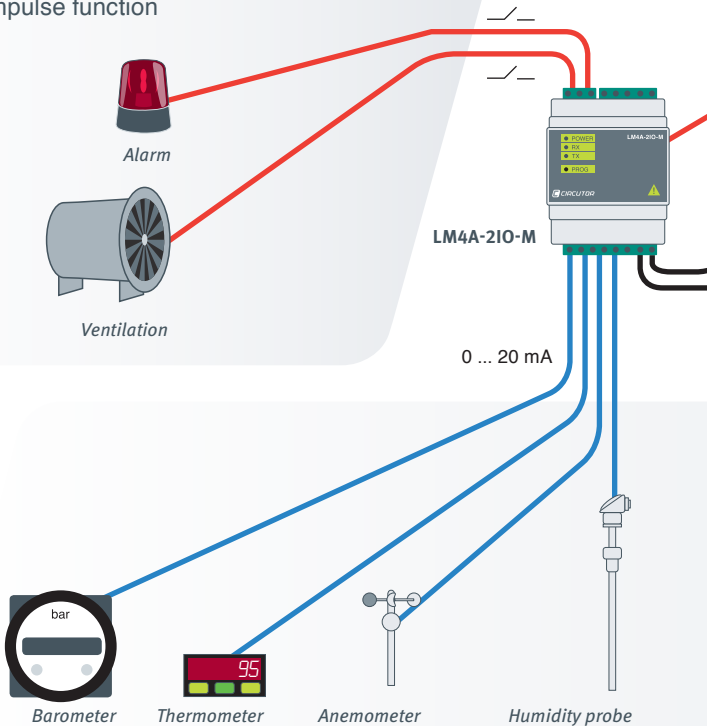
Main features

The **LM4A-2IO-M** is an analogue and digital signals centralizer. In only 4 DIN modules, the unit has 2 relay output and centralizes 4 analogue inputs from 0 ... 20 mA, 2 voltage-free digital input. The unit includes an RS-485 communications bus with a Modbus/RTU protocol, which allows real time control by communications. The unit is compatible with **PowerStudio** and **PowerStudio SCADA** control software.

Control

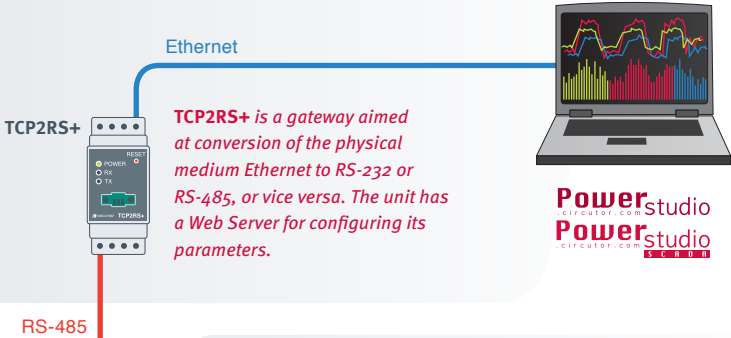
Telemangement of the 2 digital outputs:

- Open relay function
- Closed relay function
- Impulse function



Management

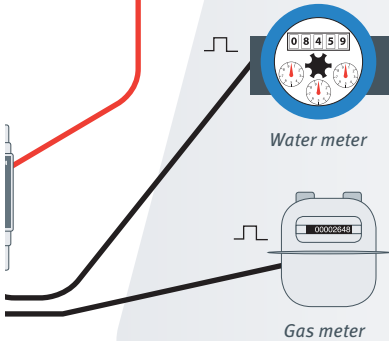
The **LM4A-2IO-M** enables to easily monitor and remotely control any industrial process signal thanks to the **PowerStudio / PowerStudio SCADA** energy management software.



Supervision

Supervision of the 2 digital inputs:

- Voltage-free inputs
- Detection of the logic state of the inputs
- Centralization of digital impulses received by external meters (≤ 10 Hz)



Display

Monitoring of the 4 analogue inputs:

- Analogue signals from 0 ... 20 / 4 ... 20 mA
- 1024 points of resolution (10 Bits)
- Compatible with any field probe with a 0 ... 20 mA output (Barometers, thermometers, manometers, anemometers, humidity probes, flow meters, digital wind direction indicators, lux meters, etc.)

Technical specifications

LM4A-2IO-M

Code M31565

Power Supply circuit

Power Supply 85 ... 265 V_{a.c.} / 120 ... 374 V_{d.c.}

Consumption 4,6 ... 7,5 V·A

Frequency 47 ... 63 Hz

Digital inputs (opto-insulated voltage-free)

No. of inputs 2

Max. activation current 50 mA

Analogue inputs (0 ... 20 mA)

No. of inputs 4

Input range 0 ... 20 mA

Transducer resolution 10 bits (1024 points)

Digital outputs (relay)

No. of outputs 2 (5 A max.)

Max. operating power 750 V·A

Max. operating voltage 250 V_{a.c.}

Max. switching current Resistive load I: 5 A_{a.c.}

Electrical working life (250 Vac. / 5 A) 3 x 10⁴ operations

Mechanical working life 2 x 10⁷ operations

Communications

Port RS-485

Protocol Modbus/RTU

Environmental conditions

Operating temperature -10 ... +60 °C

Protection degree IP 20

Humidity 5 ... 95 % (without condensation)

Maximum altitude 2000 m

Safety Category III - 300 V_{L-N}

Type of insulation EN 61010 double-insulated electric shock protection class II

Standards

IEC60664, VDE0110, UL94, EN61010-1, EN55011, EN61000-4-3, EN61000-4-11, EN61000-6-4, EN61000-4-2, EN61000-6-2, EN61000-6-2, EN61000-6-1, EN61000-6-3, EN61000-4-5

www.circutor.com

CIRCUTOR, SA - Vial Sant Jordi, s/n
08232 Viladecavalls (Barcelona) Spain
Tel. (+34) 93 745 29 00 - Fax: (+34) 93 745 29 14
central@circutor.es

